



Landscape maintenance shredders and mowers
TL - BE 10 - BKE - TB 10 - TB 100 SELECT - TBE 10 - TBES 10 - TBE 102
TBES 102 - SPRING-LONGER - PRO





Contents

04 - 05	Why shred verges and ditches	14	TB 10	24 - 25	SPRING LONGER 80 RP / RP
06	Landscape maintenance shredders	15	TB 100 SELECT	26 - 27	PRO
07	TL 120 150 180	16	TBE 10	28 - 31	Technical specifications
08 - 09	BE 14 16 18 20	17	TBES 10		
10 - 11	BKE 150 180 210 230 250	18 - 19	TBE 102		
12 - 13	Verge shredders	20 - 21	TBES 102		
		22 - 23	SPRING LONGER 70		

**TL - BE 10 - BKE - TB 10 - TB 100 SELECT - TBE 10 - TBES 10 - TBE 102
TBES 102 - SPRING-LONGER - PRO**

Landscape maintenance shredders and mowers

A COMPREHENSIVE RANGE FOR LANDSCAPE MAINTENANCE

FOR SEVERAL YEARS KUHN HAS BEEN DEVELOPING A COMPLETE RANGE OF LANDSCAPE MAINTENANCE EQUIPMENT (LANDSCAPE AND OFFSET-ARM VERGE SHREDDERS, ROADSIDE MOWERS, HEDGE CUTTERS) BECAUSE PRESERVING YOUR LANDSCAPE IS AN EVERYDAY CONCERN FOR US.



SIX REASONS FOR CHOOSING A MACHINE OF THE KUHN LANDSCAPE MAINTENANCE RANGE:

- Designs suited to all user profiles, from semi-professional to intensive use.
- A high-quality working result in most different conditions.
- Versatile machines thanks to their travel range (offset, front and rear-mounted versions, operating angles etc.).
- Models with working widths from 1.53 to 2.50m, there is bound to be a machine suited to your needs.
- Maximum output cutting tools.
- The people and service surrounding the 60,000+ machines manufactured at the KUHN Group's factories every year.

WHY SHRED VERGES, DITCHES AND BANKS

Flourishing strips next to roads, paths and fields not only provide a nice view, but also help to manage biodiversity by providing retreats for many plant and animal species... as long as they are well maintained.

The objective must be to find the best compromise between necessary crop protection, maintenance and safety measures by regular mowing as well as public expectations concerning an attractive landscape and conservation issues.



FROM THE FARMER'S AND MUNICIPALITY'S POINTS OF VIEW



Don't let weeds in

Weeds migrate from the border into the field and spread over the whole plot. Mowing field edges prevents weeds from spreading to the harvested crop. It is an essential operation as weed seeds in the crop reduce seed trader payments to farmers. Weeds may also hold viruses and fungi which can contaminate the following winter crops via aphids. That's why it is so important to carry out a precautionary cut.

A solution to the ban on plant-protection products

Shredding is an excellent and environmentally-friendly alternative to weed management. It is necessary in areas where plant-protection products are forbidden: river banks and streams, ecological areas or with environmental contracts, residential areas...



Ensure an easy field access

Tall grasses and herbs on field edges impair its accessibility, meaning that a pass with the shredder may be an indispensable measure before entering the field. In this way, you can also be sure that the crop dividers and other sensitive combine parts are not damaged by a stone or branch during harvest, as they can be detected before.

Pruning of hedges

Cutting back hedges doesn't mean to destroy them, but to maintain and limit them to where they can fulfil their conservation functions. Hedges, which slowly grow into the field or too close to the road edge, serve nobody in a positive way.

Ensure driver visibility

In spring and summer, each car driver can probably list one or the other turn or crossing, where he/she is not able to overlook the complete traffic situation well, because tall grasses and herbs block the view. But as soon as the visibility of road users is reduced, local authorities have to meet their obligations in terms of road safety and mow road verges.

LANDSCAPE MAINTENANCE SHREDDERS

A versatile family

FROM LANDSCAPE MAINTENANCE WORK IN PARKS AND GARDENS TO THE UPKEEP OF ALL KIND OF GREEN SPACES AND ORCHARDS: THE KUHN RANGE OF LANDSCAPE SHREDDERS WILL PERFORM EXCELLENTLY IN LOW TO MEDIUM AMOUNTS OF RESIDUES. WITH ITS SHORT TOOLS AND ADAPTED CASING SIZE, THE MACHINES ARE PERFECT TO WORK IN GRASSY AREAS.

	TL	BE 10	BKE
Type of linkage	Rear	Front, rear or reverse drive	Rear
Intensity of use	Regular	Professional	
Type of residue	Grass		
Models available	120 - 150 - 180	14 - 16 - 18 - 20	150 - 180 - 210 - 230 - 250



TL 120 / TL 150 / TL 180

Rear shredders of 1.19 – 1.78m working width for regular use in park and garden maintenance on compact tractors.



BE 14 / BE 16 / BE 18 / BE 20

Very adaptable shredders (rear, front, reverse drive) with working widths from 1.40 to 2.00m for professional use (local authorities,...).



BKE 150 / BKE 180 / BKE 210 / BKE 230 / BKE 250

A wide choice of models for fast and efficient management of green spaces with a shredding width of 1.53 m to 2.50 m.

SMALL AND EFFECTIVE

KUHN TL shredders are intended for the maintenance of parks and gardens. They have been developed for use with compact tractors. Thanks to their design and specific tools nothing stands in the way to high quality shredding of lawns and green spaces.



Designed for compact tractors

Attached on a three-point hitch, cat. 1 or 1N, TL shredders are adapted for use on compact tractors. TL 150 and 180 are available with an attachment with offset possibility.

Ideal for green spaces

- Height control by roller
- Forward roller position:
- Perfect ground following,
- Self-cleaning roller by means of the tools,
- Ejection of shredded residues over the roller to prevent compacting shredded grass and to facilitate its decomposition.

High-quality mowing and shredding

Specific articulated scoop knives care for superb grass mowing operations, as does the high number of tools. A counter knife in the casing enhances the shredding quality.

THE SOLUTION FOR PARKS AND GARDENS

Maintenance work in parks and grassland are the core working area of the BE shredders. Designed for use with garden or small tractors, they can be either hitched on the tractor's rear or front linkage or driven in reverse drive position. Available in four working widths from 1.40 to 2.00m, these machines impress by their versatility.



ONE SOLUTION FOR ALMOST EVERY NEED!

Their main asset: KUHN's BE shredders are available in rear- or front-mounted as well as reverse drive version. For use on front linkage or with reverse drive tractors, a kit is available to modify the linkage. In all cases, the central gearbox is supplied with two input points and integrated free wheel (540 and 1,000 min⁻¹).



Machine in rear-mount position.



Machine used in reverse drive station.



Excellent ground following

The working height is set by a 160mm diameter roller with fixed ends, mounted on double-row ball bearings with greasing points.

It is positioned very close to the rotor. Thus, it ensures the best possible ground adaptation. Another advantage: The roller is automatically cleaned by the shredding tools!

Even more linkage choices

As standard you can choose between a fixed linkage with two possible positions or a hydraulic offset.

Quick decomposition of residues

Thanks to the optimized casing and roller position, shredded grass is ejected over the roller and consequently can't get compacted.

It is evenly delivered at the rear, where the decomposition can start without delay.



THEY WORK LIKE A LAWNMOWER

Standard hammer knives with specific patented design to avoid rotor damage.



BKE 150 | 180 | 210 | 230 | 250

THE REFERENCES IN THE RANGE

This range is the benchmark at KUHN for the upkeep of grassy areas such as parks, green spaces and pastures. Available in five working widths from 1.53 to 2.50 m, these shredders will give you complete satisfaction.

A DESIGN OPTIMIZED FOR SUPERIOR WORK QUALITY

The optimized shredding casing profile ensures a high shredding capacity while limiting the power input. Fitted with a roller positioned closest to the rotor, the machine follows ground contours perfectly facilitating product decomposition.





Choose the best suited linkage

Two types of linkage are available for BKE shredders:

- a fixed two-position coupling (centred and offset),
- a linkage with hydraulic offset.



READY FOR INTENSIVE USE

Select the roller with removable ends and fitted with reinforced roller bearings for reduced maintenance and replacement costs.



FOR EVEN BETTER GROUND FOLLOWING

On irregular ground, the skids combined with the roller protect the side walls, improve the machine's stability and provide additional guidance.



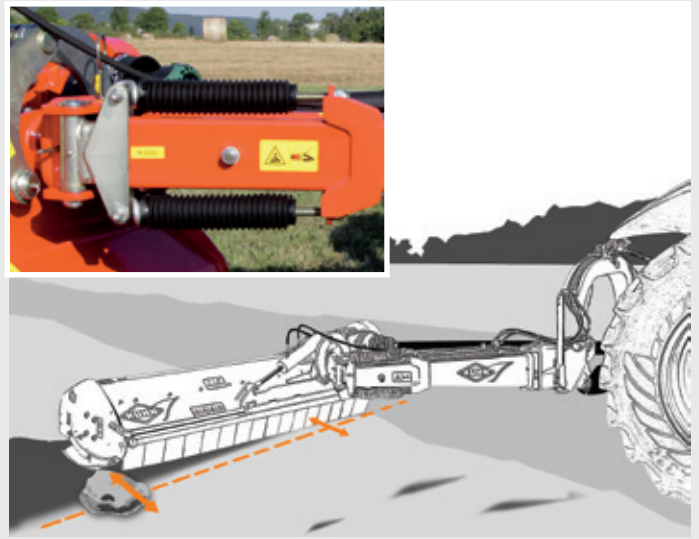
OFFSET-ARM VERGE SHREDDERS

Focus on versatility

TB, TBE AND TBES SHREDDERS ARE COMPELLING IN THEIR VERSATILITY OF USE. WHETHER FIGHTING WEEDS ON FIELD VERGES, MAINTAINING GRASSY STRIPS, DITCHES OR BANKS OR SHREDDING THE ANNUAL HEDGE GROWTH – THERE IS A SOLUTION FOR EVERYONE.

IN DIVERSE SITUATIONS THEY CARRY OUT A RELIABLE JOB, SUPPORTED BY THEIR STURDY DESIGN AND SAFETY FEATURES TO AVOID DAMAGE. THEIR WORK OUTPUT WILL ENABLE YOU TO PERFORM WORK IN RECORD TIME.





Tried and tested strength

KUHN verge shredders are designed for intensive use. The machine frame is unmatched in terms of reliability and longevity. Hitch frame, parallelogram arm, bushes on all pivot points... all of these features are made to provide the machine-strength required by users.

Avoid obstacles

The machine frame is protected by a non-stop spring-loaded safety system (except TB 10 series) should it hit an obstacle. After clearing the obstacle, the machine automatically returns to working position. TB 10 series models are equipped with a safety system on the linkage arms.

Protected against impact

The mechanical parts which are exposed to impacts (casing, belt guard, bearings...) are all protected, and the casing features a bolted 4mm-thick sheet-metal lining for increased resistance to impacts and wear (not on TB 10).



Work output comes first

The special design of the shredder casing and the rotor size make it possible to shred large quantities at high ground speeds. Different tools are available and adaptable according to the models: hammer knives, articulated hammer knives, Y knives and articulated scoop flails.

Superior stability

Most of KUHN verge shredders are equipped with a tamping roller with removable ends (except TB/TBE 10 series). Result: reduced and easier maintenance as well as improved work quality. For work on irregular land, the body is protected by wide, height-adjustable skids (fixed on TB models).

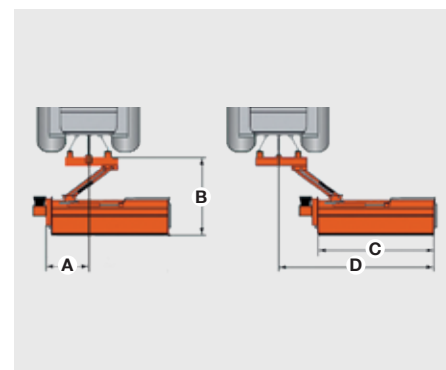
All models are not available in all countries. Please always check with your authorized dealer.

LIGHT. ROBUST. VERSATILE.

The TB series 10 shredder range includes three models with working widths of 1.40, 1.60 and 1.80 m. These machines are designed for grassy areas, parks and gardens. TB series 10 tools are light enough to be coupled to low-powered tractors (only 40 hp) and versatile enough to take care of all types of landscape maintenance tasks.

HIGHLY VERSATILE SHREDDERS

TB series 10 machines can work behind the tractor, in offset position and at angles of -45° to $+90^\circ$ for ditches. Furthermore, TB 10 models also have an additional offset of 66 cm to ensure perfect results anywhere, including between obstacles such as trees and electric pylons.



	TB 14	TB 16	TB 18
A	672 mm		
B	1 820 mm		
C	1 400 mm	1 600 mm	1 800 mm
D	2 160 mm	2 360 mm	2 560 mm
E	1 250 mm	1 450 mm	1 650 mm
F	-45°		
G	$+90^\circ$		



Tools for a long lasting rotor

The patented hammer knives are made for shredding grassy areas. Their special shape prevents damage to the rotor in case of an accidental impact, thus avoiding rotor imbalance.



Clean, well-kept grassy areas

On the TB 10 series the roller is positioned as close as possible to the rotor. In this way, all the shredded material is ejected over the roller for quicker decomposition than if it would be compacted. The visual result will speak for itself. Main benefits of this design:

- excellent ground contouring,
- automatic cleaning by knives.

Reduced maintenance and downtime

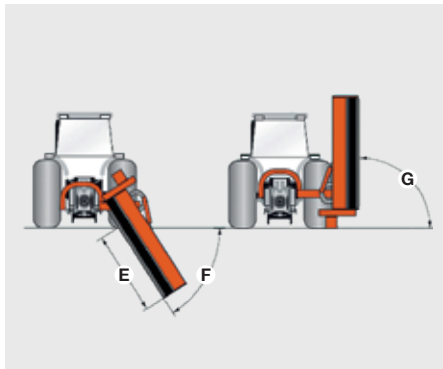
A robust frame, a reinforced offset arm, pins and bushes protected against wear and a mechanical safety system on the linkage for protection against impacts... all those features contribute to a long service life of the machine and less downtime. In compliance with current standards, there is also only one screw on the belt guards to loosen in order to access the belts.

A SOLUTION FOR EVERYDAY SHREDDING

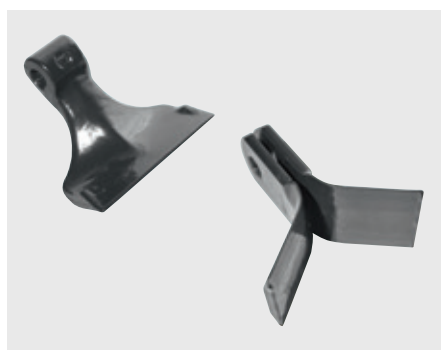
Maintenance work on a farm encompasses most different situations and conditions, but will mostly be carried out in grassy areas.

The TB 100 Select series meets these versatile farmer's requirements in verge, ditch and bank shredding. The shredders can be hitched behind tractors of only 60 to 80hp.

All models are not available in all countries. Please always check with your authorized dealer.



	TB 181	TB 211
A	975 mm	
B	2115 mm	
C	1745 mm	2030 mm
D	2475 mm	2760 mm
E	1550 mm	1850 mm
F	-65°	
G	+90°	



A machine combining robustness and light weight

Designed for working times between 40 and 100 hours per year, the TB 100 Select models are made for individual farms:

- made of high-resistance steel with an excellent weight/strength ratio;
- strong hitch frame of section 100 x 100mm;
- bolted sheet metal lining.

Shredding as expected

Choose between hammer knives (for grass, pasture) or universal knives (for brushwood). One counter knife is fitted as standard. A 400mm rotor and a roller with removable ends complete the performing aspect.

Non-stop safety by springs

A non-stop safety device by springs is fitted on the TB 100 SELECT to protect the structure against impacts. In order not to exceed the yield strength of the springs, a mechanical stop has been added.

VERSATILITY FIRST

The TBE 10 series is also designed for individual farms that need a versatile shredder to keep their roadsides, field borders and other grassy areas tidy. An impressive offset feature ensures immaculate work between trees.



Robust and reliable

The TBE 16, 19 and 22 are perfect for 40 to 100 hours of utilization per year:

- large offset arms, made up by two twin tubular pieces of 140 x 60mm.
- welded sheet metal lining.
- bolted Hardox skids as standard to protect the casing on the roadside.

Non-stop safety

The spring-loaded NON-STOP safety device is fitted on the TBE 10 series to protect the casing from shocks when hitting an obstacle. Once the obstacle is cleared, the machine automatically returns to its initial working position.

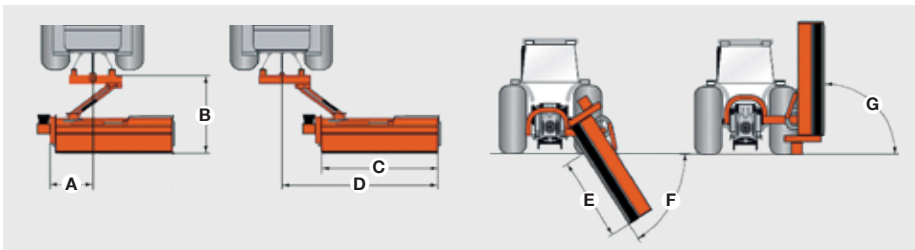
Impeccable shredding results

The TBE and TBES 10 series feature heavy hammer knives for operating in herbaceous residues and undergrowth. Universal knives, designed for scrub clearing, are also available. Two welded counter knives, a rotor of 425mm and a roller positioned very close to the rotor make up the ingredients needed for an impeccable work quality.

All models are not available in all countries. Please always check with your authorized dealer.

LARGER OFFSET FOR VERGE AND DITCH MAINTENANCE

The TBES 10 series completes the KUHN verge shredder range of multi-purpose machines, adding one important feature: its externally fitted gearbox. Farmers looking for a large offset to maintain their verges and ditches will find its kinematics very practical.



	TBE 16	TBE 19	TBE 22	TBES 16	TBES 19	TBES 22
A	695 mm			435 mm		
B	1 850 mm					
C	1 531 mm	1 792 mm	2 144 mm	1 531 mm	1 792 mm	2 144 mm
D	2 401 mm	2 662 mm	3 030 mm	2 661 mm	2 922 mm	3 290 mm
E	987 mm	1 248 mm	1 596 mm	1 247 mm	1 508 mm	1 856 mm
F	-65°					
G	+90°					

Kinematics that stand for versatility

Through its design with an outer drive casing, the TBES 10 series has a larger lateral offset capability than the TBE 10 models.

2.66 to 3.29 m measured from the centre of the tractor are possible.

It can work centered behind the tractor, offset or at an angle to work in ditches or on banks.

Moreover, the TBES shredder is the solution for extra-wide tractors and is also interesting for use in combination with a front-mounted shredder.

VERSATILE AND STURDY



TBE 102 series shredders have been specially designed for farmers and machinery cooperatives to meet the changing practices in farming and landscape maintenance. These heavy-duty shredders are made for higher workloads. With working widths of between 1.79 and 2.30m, they efficiently take care of field edges and paths, as well as fallow land and grassy areas.

YOU MENTIONED VERSATILITY?

TBE 102 models are multi-purpose. They work behind the tractor for path maintenance, offset or tilted for the maintenance of ditches, banks and hedges. Work angles range from -65° (ditches) to $+90^{\circ}$ (hedges), and they manage grassy areas and undergrowth effectively.





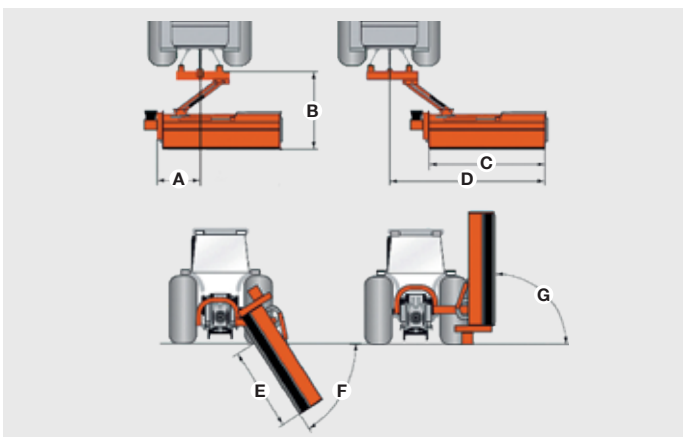
Professional shredding quality

Shredders of the TBE 102 series are made up of high-resistance steel. A 4mm welded sheet metal lining, protection bars at the front and a belt guard provide further protection and robustness. To prevent wear, the casing is protected by means of a bolted and curved Hardox skid: ideal for use on roadsides!

Rugged in every respect

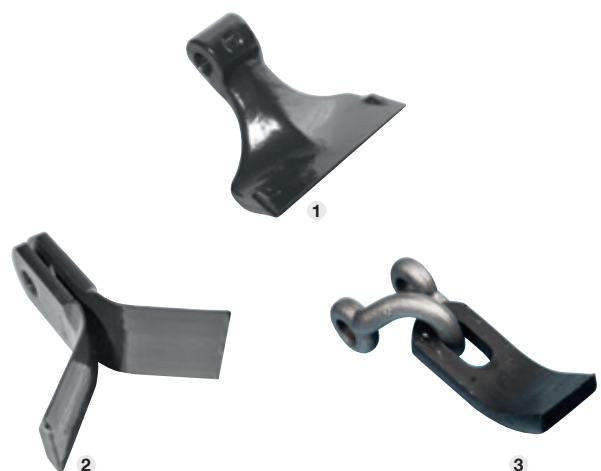
Beside the extensive tool choice, two counter knives are welded inside the casing. The 180mm roller with removable ends is positioned closest to the rotor in order to prevent tamping residues and allow their fast decomposition. The curved lateral skids make the TBE 102 models glide smoothly over the ground.

*All models are not available in all countries.
Please always check with your authorized dealer.*



	TBE 192	TBE 222	TBE 242
A	764 mm		827 mm
B	2175 mm		
C	1792 mm	2144 mm	2295 mm
D	2806 mm	3158 mm	3244 mm
E	1200 mm	1550 mm	1700 mm
F	-65°		
G	+90°		

CHOOSE THE RIGHT TOOL



1. Heavy hammer knife: for grass and pastures
2. Universal knife: recommended for scrub clearing
3. Articulated scoop flails: for intensive work in grassy areas, adapted for landscape maintenance professionals

HEAVY-DUTY WITH MAXIMUM OFFSET



Comparably versatile and performing in its use as the TBE 102 models, the working width of the new TBES 102 range extends even further. Three models with 2.14, 2.30 and 2.50m are available, recommended for tractors from 90 to 180hp.

Due to their specific design they can be used with wider tractors. You have the same features and choice of knives as on the TBE 102 series.

All models are not available in all countries. Please always check with your authorized dealer.

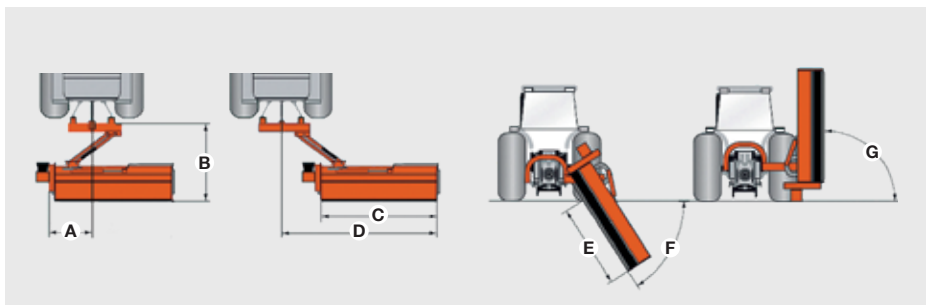


YOU MENTIONED VERSATILITY?

TBES 102 series shredders are multi-purpose. They work behind the tractor for path maintenance, offset or tilted for the maintenance of ditches, banks and hedges.

Work angles range from -65° (ditches) to $+90^\circ$ (hedges), and they manage grassy areas and undergrowth effectively.

	TBES 222	TBES 242	TBES 262
A	545 mm		
B	2175 mm		
C	2144 mm	2295 mm	2496 mm
D	3376 mm	3527 mm	3728 mm
E	1768 mm	1918 mm	2120 mm
F	-65°		
G	$+90^\circ$		



SPRING-LONGER S 1670 RTR

FRONT OR REAR: NO NEED TO CHOOSE

Versatility and safety are the key features of this range of roadside mowers. With a power requirement of only 70 hp, the SPRING-LONGER S 1670 RTR is designed to meet the requirements of municipalities for mowing operations



VERSATILITY IN ACTION

The SPRING-LONGER 70 series machine can be attached to the front or the rear of the tractor. Configuration change takes just a few minutes. It can be used in combination with a hedge and grass cutter and is very useful when your tractors don't have front PTO.

*All models are not available in all countries.
Please always check with your authorized dealer.*

ROADSIDES, DITCHES, BANKS AND HEDGES

It is equipped with a 580 mm hydraulic horizontal offset for mowing paths and roadsides **(1)**. The vertical folding feature makes the machine narrower on the road **(2)**. A 600 mm vertical offset comes as standard for mowing above road level. In "flat mowing", uneven ground is compensated for automatically to produce a neat and tidy cut. For the maintenance of ditches, banks and hedges, the machine can work at angles of -55° to $+90^{\circ}$ **(3)**. The mowing unit adapts easily to working conditions with the combination of the angle range, horizontal offset and vertical offset.



Reliable for intensive use

The 425 mm-diameter rotor is equipped with 42 articulated scoop flails and works a width of 1.60 m. With the large number of tools, residues are shredded finely and product intake is effective.

Protected against impacts

A NON-STOP hydraulic safety system with automatic reset is a standard feature of the machine. A hydraulic cylinder is pressured by a nitrogen ball. In the event of impact, the mower unit can shift 720 mm to the rear. It returns to work position automatically. The casing is reinforced with a sheet metal plate as standard.

High-capacity drive

The SPRING-LONGER 70 series machine is designed for tractors with maximum engine power of 120 hp (machine used solo). Rotation speed is 540 or 1,000 rpm, selected by simple pulley inversion. Power transmission is by four V-belts.

SIMPLICITY AND COMPACTNESS

SPRING-LONGER 80 series models offer truly professional roadside mowers, designed for high work output. Available in rear or front mount, the SPRING-LONGER 80 series is also a benchmark in terms of versatility with its capacity to mow a wide variety of verges. With its 900 mm horizontal offset and vertical offset as an option, together with its front/rear safety feature and 100% effective mower unit, your investment is guaranteed to be profitable.



FRONT AND REAR SAFETY

To improve on-the-job flexibility and reduce mechanical stress, all SPRING-LONGER 80 series models are equipped with a double hydraulic safety function. Due to the specific nature of the cylinder, the mower unit can pivot rearwards in the event of a frontal collision **(1)** and forwards if the driver does an unintentional reversing manoeuvre **(2)**. Resetting is automatic thanks to the three nitrogen ball accumulators fitted to the machine as standard **(3)**.





SPEED AND QUALITY OF WORK FOR INTENSIVE USE

High mowing rates can be achieved due to the geometry of the mower head, developed without a “bottleneck”, and its 120 hp gearbox **(4)**. The rotor bearing is incorporated into the gearbox for improved protection. Quality of work is assured by the high rotor speed of 2,530 min⁻¹. The XTREM sensor roller is equipped with removable ends and a large-diameter tube (168 mm) **(5)**. To ensure long life, the shredding unit skids are made of hardened steel whereas the casing is designed with double-thick steel plate. The rotor is equipped with wire protection devices for improved protection of the half-bearing. Four automatically tensioned cog-type V-belts drive the rotor **(6)**. The speed is changed (540 or 1000 min⁻¹) simply by reversing the pulleys.

Built-in reliability

The uniform design features reassembled, non-tubular components in very high yield steel. It ensures greater mechanical strength while reducing the weight of the structure. All joints are mounted on cell-type bushes.

*All models are not available in all countries.
Please always check with your authorized dealer.*



HORIZONTAL PIVOT OFFSET MAKES ALL THE DIFFERENCE

With the hydraulic pivot concept, a huge 900 mm horizontal offset can be reached. The mower unit can avoid obstacles easily and effectively. The pivot also makes it possible to work behind part of the tractor wheel on narrow paths. The tractor-machine assembly is more compact, offering maximum safety to road users.

VERTICAL OFFSET: AN ESSENTIAL FEATURE

For maximum versatility, the RP models in the SPRING-LONGER 80 series range are equipped with a hydraulic lift function. In “flat mowing” and “bank” mode the lift cylinder automatically compensates for unevenness along the verge. It complements the mower unit slewing cylinder. The mower head lifts, lowers and tilts without any operator action **(7)**. In “ditch” mode, the vertical offset function lifts the mower unit 600 mm. The universal joint is in a good working position with higher ground clearance. The 70° head angle can therefore be used to its full potential **(8)**. In “clearing” mode, it is possible to mow above road level **(9)**.



THE MOUNTAINEER AMONG THE LANDSCAPE SHREDDERS!

This front-mounted shredder is the right one for intensive agricultural or landscape maintenance work, especially on slopes. From roadside maintenance to scrub clearing work, the two shredder models are also adequate for upland meadow maintenance.



A "PRO" STRUCTURE

The PRO has been designed to withstand the toughest conditions, owing to:

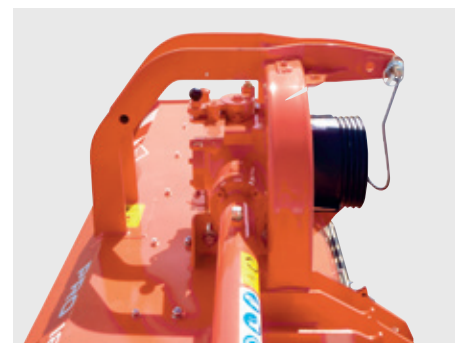
- its structure made of high-yield strength steel (Domex) integrating two transversal beams;
- its inner and outer reinforcements at the point where the tractor lift arms are attached;
- its bolted sheet metal lining for optimum protection against wear and shocks.

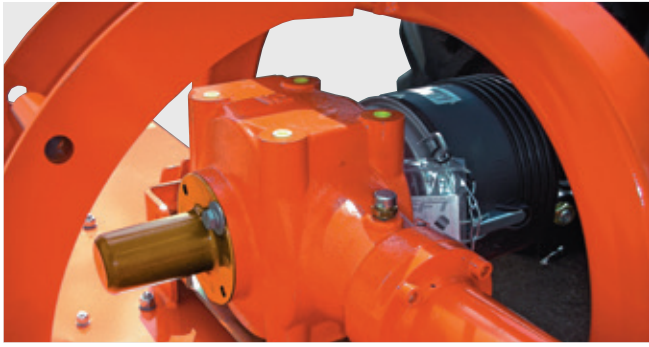
Apart from these assets the designers have also focused on weight reduction. The specific steel ensures that you will benefit from an improved weight /robustness ratio.

A compact multipurpose unit

The PRO shredders are ideally adapted for coupling to REFORM and AEBI tractors, especially designed for working on slopes.

An overhang reduced to a minimum ensures excellent load distribution and perfect stability.



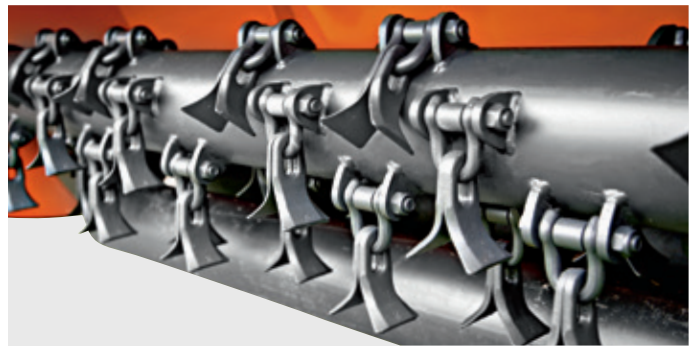


THE KUHN PLUS OPTIMUM FLEXIBILITY

According to the working conditions, the PRO can be equipped with a standard or two-way rotor gearbox. In difficult conditions with a high presence of scrub and wood residues, the latter will provide you with the flexibility you need.

High-flow, high-quality

Even at high speed, the PRO shreds impressive quantities of plants thanks to the large 470mm diameter rotor, its helical tool layout and a drive speed of 2,300 min⁻¹. To adjust the shredding fineness to your requirements, the casing includes a retractable counter-knife



Flawless work quality

Articulated universal knives are adapted to shred grass and scrub in all situations (roadsides, scrub clearance, green spaces, pastures). Results ensured with standard or two-way rotor gearbox!



Excellent ground following

According to the working conditions, the PRO shredders will follow the terrain reliably in order to reduce maintenance costs. This is possible due to the roller of 160mm diameter and with removable ends, which is positioned closest possible to the rotor.



Reliable also in intensive working conditions

To meet the most intensive use criteria, the PRO shredder is fitted with:

- a central gearbox that accepts a maximum power of 150hp.
- a rotor drive per POWERBAND XPB 3 strand belt.
- side skids with interchangeable wearing parts in order to reduce wear and operating costs.



All models are not available in all countries. Please always check with your authorized dealer.

Specifications

		TL			
Model		120	150	180	14
Working width (m)		1.19	1.46	1.78	1.40
Transport width (m)		1.35	1.60	1.92	1.60
PTO speed (min ⁻¹)		540			
Tractor power requirement (kW/hp)		11 / 15	15 / 20	18 / 25	26 / 35
Max. authorized DIN motor power at 540 min ⁻¹ (kW/hp)		22 / 30	22 / 30	18 / 25	
Attachment		3-point, cat.1			3-point,
Side offset (mm)		-	260		
Free wheel					
Rotor drive (number of belts)		2 belts SPBA			2 belts
Rotor diameter (mm/in)		366			
Rotor speed (min ⁻¹)	PTO 540 min ⁻¹	2,309			
	PTO 1,000 min ⁻¹	-			
Tool linear speed (m/s)	PTO 540 min ⁻¹	44.20			
	PTO 1,000 min ⁻¹	-			
Number of articulated scoop knives		24	30	36	
Number of hammer knives					20
Number of long hammer knives					
Number of universal knives with stubble pallets					
Number of universal knives					-
Counter-knives					(Smooth, welded)
Side skids		-			
Height adjustment		by roller			
Roller diameter (mm)		90			
Weight with equipment (kg)		150	185	205	330

Specifications

		TB							
Model		14	16	18	181 SELECT	211 SELECT	16	19	
Working width (m)		1.40	1.60	1.80	1.75	2.03	1.53	1.79	
Overall width (m)		1.60	1.80	2.00	2.04	2.33	1.78	2.04	
PTO speed (min ⁻¹)									
Tractor power requirement (kW/hp)		26 / 35	29 / 40	37 / 50	48 / 65	51 / 70	44 / 60	51 / 70	
Max. authorized DIN motor power at 540 min ⁻¹ (kW/hp)		63 / 80					81 / 110		
Attachment		3-point - cat. 1 and 2							
Free wheel									
Number / type of belts		2 / SPBX		3 / SPBX					
Rotor diameter (mm/in)		374			400		425		
Fréquence de rotation du rotor (min ⁻¹)		2,218							
Linear speed of tools (m/s)		44			47		52		
Number of hammer knives		20	24	28	24	28	-		
Number of pivoting hammer knives		-						18	20
Number of universal knives		-			48	56	36	40	
Number of articulated scoop flails		-							
Number of counter-knives		1 (welded)			1 (bolted, notched)		2 (welded, smooth)		
Height adjustment		by roller with fixed ends			by roller with removable ends		by roller with fixed ends		
Sensor roller diameter (mm)		160			140		168		
Sheet metal lining		-			◆ mechanical				
Non-stop safety system		◆ mechanical							
Required hydraulic equipment									
Weight with equipment (kg)		460	480	500	760	780	744	774	

GRASS SHREDDERS

BE			BKE				
16	18	20	150	180	210	230	250
1.60	1.80	2.00	1.53	1.80	2.14	2.29	2.50
1.80	2.00	2.20	1.71	2.00	2.36	2.51	2.71
540 / 1,000			540				
29 / 40	33 / 45	37 / 50	29 / 40	44 / 60	48 / 65	51 / 70	55 / 75
48 / 65			59 / 80	74 / 100	74 / 100		
cat.1	3-point, cat. 1 or 2		3-point cat.1	3-point, cat. 1 or 2	3-point, cat.2		
280	450		350	450	455		
◆ built into the casing							
3 belts SPBX			3 belts SPBX		4 belts SPBX		
374			425		450		
2,218			2,203				
2,339			-				
45.50			49		51.80		
46.60			-				
-							
24	28	32	18	20	24	26	28
-							
-							
			36	40	48	52	56
(Smooth, bolted)							
◆			◇				
by roller with fixed ends			Per wheels or roller with removable or fixed ends				
160							
370	410	455	470	580	660	690	710

*at a speed of 1,000min⁻¹ **Optional equipment: may vary from one country to another.

OFFSET ARM VERGE SHREDDERS

TBE				TBES					
22	192	222	242	16	19	22	222	242	262
2.14	1.79	2.14	2.29	1.53	1.79	2.14	2.14	2.29	2.49
2.39	1.98	2.42	2.57	2.07	2.33	2.68	2.70	2.92	3.12
540									
59 / 80		66 / 90	74 / 100	44 / 60	51 / 70	59 / 80	66 / 90	74 / 100	81 / 110
96 / 130		110 / 150	125 / 170	81 / 110			110 / 150	125 / 170	132 / 180
3-point - cat.2									
◆ built into the casing									
4 / SPBX				3 / SPBX		4 / SPBX			
450				425		450			
2,203				2,325		2,203			
51.80				52		51.80			
20		24	26	-		24	26	28	
24	-			18	20	24	-		
48	40	48	52	36	40	48		52	56
48		54	60	-		54	60	66	
2 (welded)				2 (welded, smooth)		2 (welded)			
by roller with removable ends				by roller with fixed ends		by roller with removable ends			
180				168		180			
◆ welded, 4 mm									
◆ spring with mechanical stop									
1 SA + 1 DA									
804	925	970	1,000	750	800	890	1,015	1,045	1,070

◆ standard ◇ option - not available

Specifications		FRONT-MOUNTED SHREDDERS	
Model	180	210	
Working width (m)	1.75	2.10	
Overall width (m)	2.03	2.40	
PTO speed (min ⁻¹)	540 or 1,000 (to specify when ordering)		
Minimum power requirement (kW/hp)	45 / 60	50 / 70	
Max. authorized DIN motor power at 1,000 min ⁻¹ (kW/hp)	110/150		
Attachment	3-point, cat 1 and 2		
Free wheel	on primary PTO		
Number / type of belts	1 / Powerband 3 strands XPB		
Rotor diameter (mm)	470		
Rotor speed (min ⁻¹)	2,295 (540 min ⁻¹) / 2,317 (1,000 min ⁻¹)		
Tool linear speed (m/s)	58		
Number of tool holders	36	42	
Type of tools	Universal flails on shackle		
Shackle diameter (mm)	14		
Height adjustment	roller with removable ends		
Sensor roller diameter (mm)	160		
Required hydraulic equipment	1 DA		
Weight with equipment (kg)	475	535	

◆ standard ◇ option - not available



KUHN PARTS



Designed and manufactured to rival time. KUHN foundries and forge as well as a high-level manufacturing process allow the production of spare parts to defy time. You can truly rely on our know-how and our genuine parts. Farmers benefit from our client support and logistics services via any KUHN PARTS warehouse, which provide quick and reliable repair solutions in cooperation with your nearest authorized KUHN dealer.

Specifications		PROFESSIONAL-DUTY ROADSIDE MOWERS SPRING-LONGER					
Model	S 16170 RTR	1680 P(L)	1680 RP(L)	2080 RP(L)	2380 RP(L)	1680 RPF(L)	2080 RPF(L)
Position of the mower unit	side rear (right or left)					front (right or left)	
Working width (m)	1.60		2.00		2.30	1.60	2.00
Vertical offset (m)	0.60	-	0.60				
Ditch angle	-55°	-70°					
Bank angle	90°						
Transport height with 0.5 m ground clearance (m/ft)	2.88	2.60		3.00	3.30	2.60	3.00
Horizontal offset (m)	0.58	0.90					
Mower unit safety	hydraulic, independent, in forward and backward drive					rear hydraulic	
Attachment	3-point, cat. 2		semi-automatic hitch, cat. 2 or 3				
STABI-LINK frame	-	◇				-	
PTO speed (min ⁻¹)	540 or 1,000 (by reversing the pulleys)						
Belts	4 cog-type V-belts						
Rotor speed (min ⁻¹)	2,210 (540 min ⁻¹) / 2,347 (1,000 min ⁻¹)	2,530					
Shackle diameter (mm)	13	14					
Number of articulated scoop flails	42			54	60	42	54
Rotor tube diameter (mm)	152						
Rotor outer diameter (mm)	425	-					
Rotor diameter (mm)	160	168					
Sensor roller type	with removable ends	XTREM with removable ends					
Ejection guards	◆	◆ Removable guards					
Hydraulic offset	◆						
Hydraulic Non-Stop safety	◆						
Minimum power requirement (kW/hp)	51 / 70	59 / 80					
Min. tractor weight (kg)	3,500					5,000 (reinforced linkage 4,000 to 4,500)	
Required hydraulic equipment	1SA (with floating position) + 1DA	1 SE + 1DA + electric circuit selector					
Weight (kg) approx.	950	1,285	1,365	1,425	1,285	1,365	

◆ standard ◇ option - not available

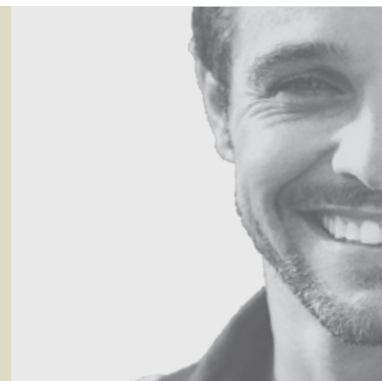
KUHN SERVICES*

KUHN sos order - Express spare parts service 24/7**

KUHN protect+ - The choice of professionals!

KUHN i tech - For ever quicker repairs!

KUHN finance - Invest rationally!



* Not all services are available in all countries. ** except January 1, May 1 and December 25

MyKUHN

THE LINK TO MY SUCCESS!

MyKUHN is your online space. Sign up today and find out how MyKUHN's exclusive services will help you manage your KUHN machinery and terminals more effectively. Log on with your computer, mobile phone or tablet computer to access spare parts catalogues, technical documentation and many connected services.



Discover the KUHN product range for professional landscape and roadside maintenance.



1. 2. Hedge and grass cutters (left or right) with a horizontal reach of up to 7.40 m - 3. Front landscape maintenance shredders
4. Salt and sand spreaders

KUHN SAS - 4 Impasse des Fabriques - BP 50060 - F-67706 Saverne CEDEX - FRANCE
KUHN NORTH AMERICA, INC. - 1501 West Seventh Avenue - Brodhead, WI 53520 - USA
KUHN FARM MACHINERY PTY. LTD - 313-325 Foleys Road - Deer Park, VIC, 3023 - AUSTRALIA
KUHN FARM MACHINERY (U.K.) LTD - Stafford Park 7 - GB TELFORD/ SHROPS TF3 3BQ

To find your nearest KUHN dealer,
visit our website www.kuhn.com

Information given in this document is only for information purposes and is non-contractual. Our machines are in compliance with regulations in force in the country of delivery. In our literature, and for improved illustration of certain details, some safety devices may not be in operating position. When operating these machines, these devices **must** be in position in accordance with the requirements indicated in the operator's manuals and pre-delivery instructions. RESPECT THE ROAD REGULATIONS IN FORCE AS WELL AS the tractor gross vehicle weight rating, its lift capacity and maximum load per axle and tyres. The tractor front AXLE load must always comply with the regulations of the country of delivery (In Europe, it must reach minimum 20 % of the tractor net weight). We reserve the right to change any designs, specifications or materials listed without further notice. Machines and equipment in this document can be covered by at least one patent and/or registered design. Trademarks cited in this document may be registered in one or several countries.

To protect the environment, this leaflet is printed on chlorine-free paper.
Printed in France - 920 766 GB - 09.21 - Copyright 2021 KUHN

